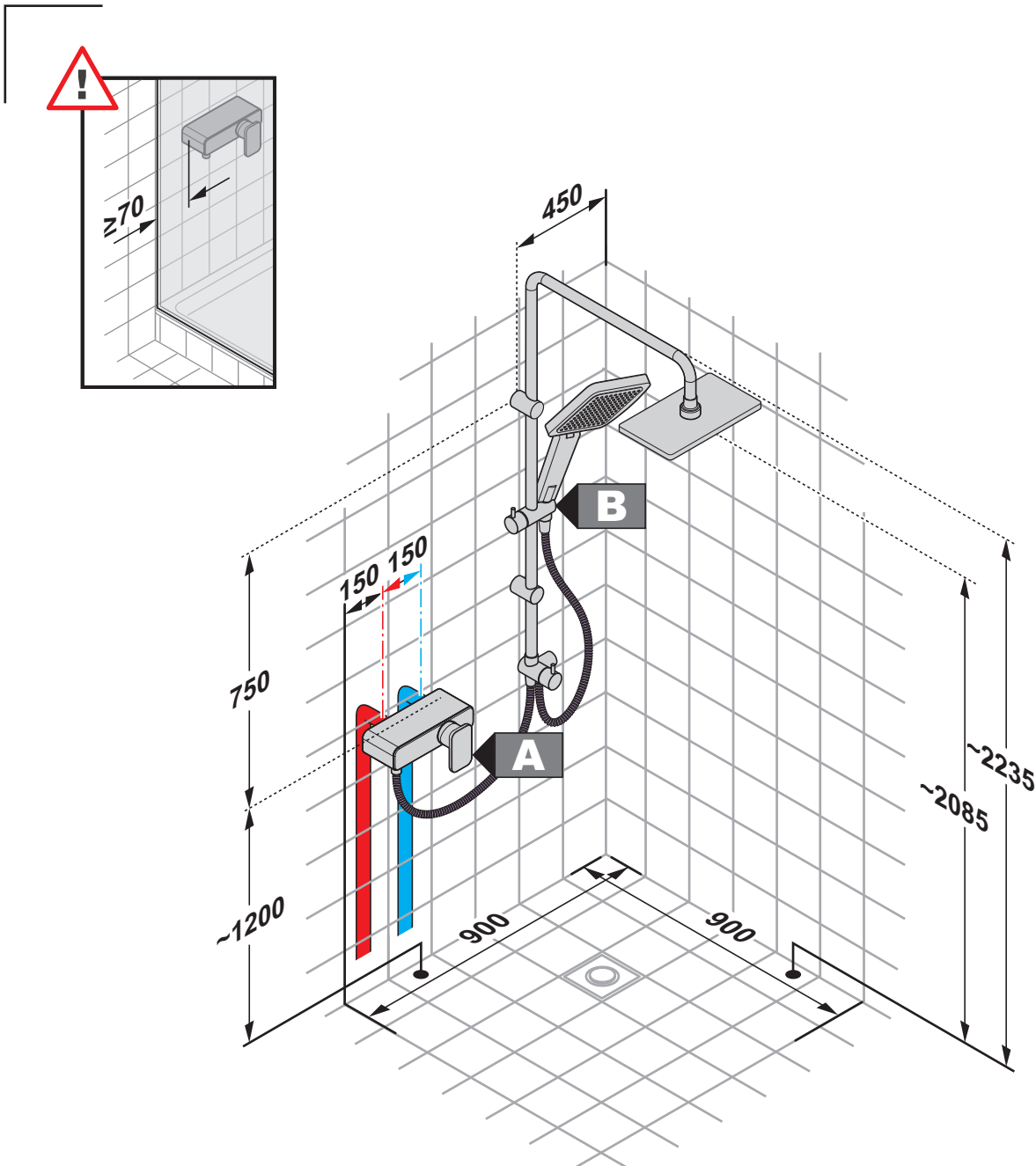


DN 15

DN 15

Pos.	Article number	Description
<b>A</b>	38 970 .. 75	single lever shower mixer DN 15
<b>B1</b>	60 830 .. 00	ZENTA 3 S shower set 620 mm
<b>B2</b>	60 840 .. 00	ZENTA 3 S shower set 915 mm
<b>C</b>	21 091 .. 00	TASSO 90 pop up waste
<b>D</b>	71 370 .. 00	TASSO 90 trim set

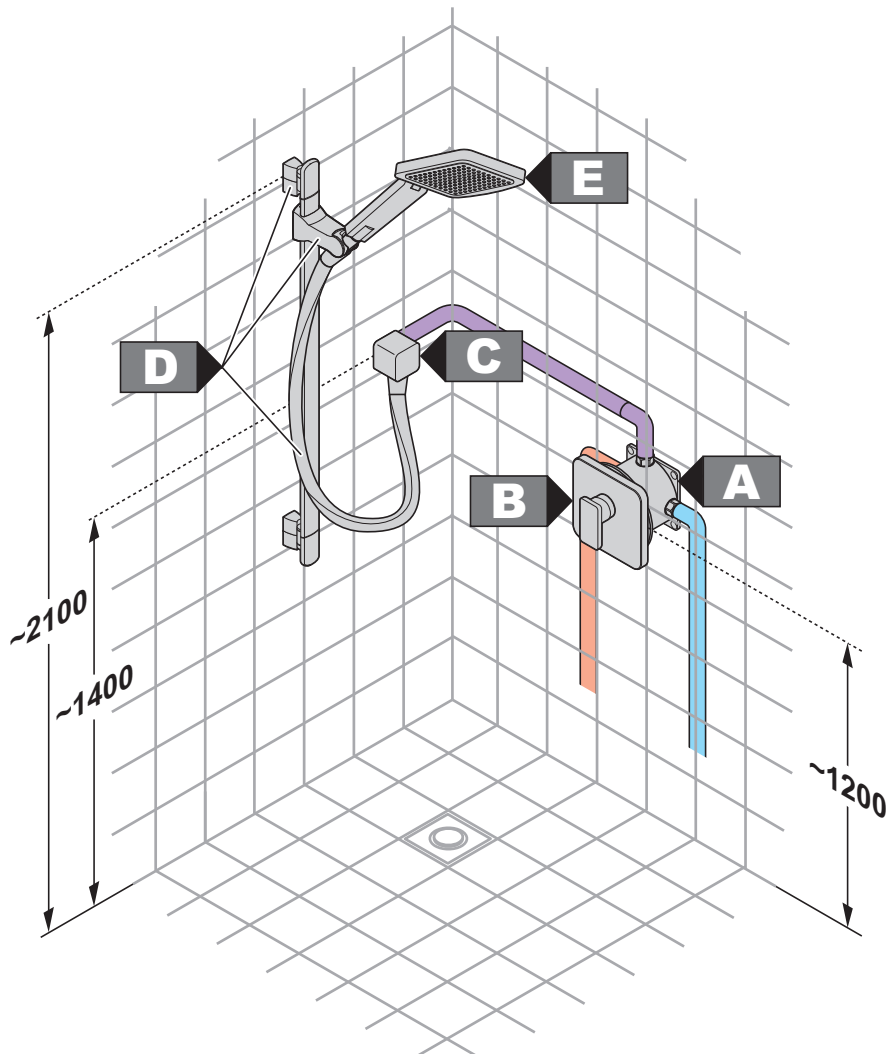


DN 15/20

DN 15/20

DN 15

Pos.	Article number	Description
<b>A</b>	56 714 .. 40	ESPRIT SHOWER MIXER
<b>B</b>	56 191 .. 40	ESPRIT DUAL SHOWER SYSTEM

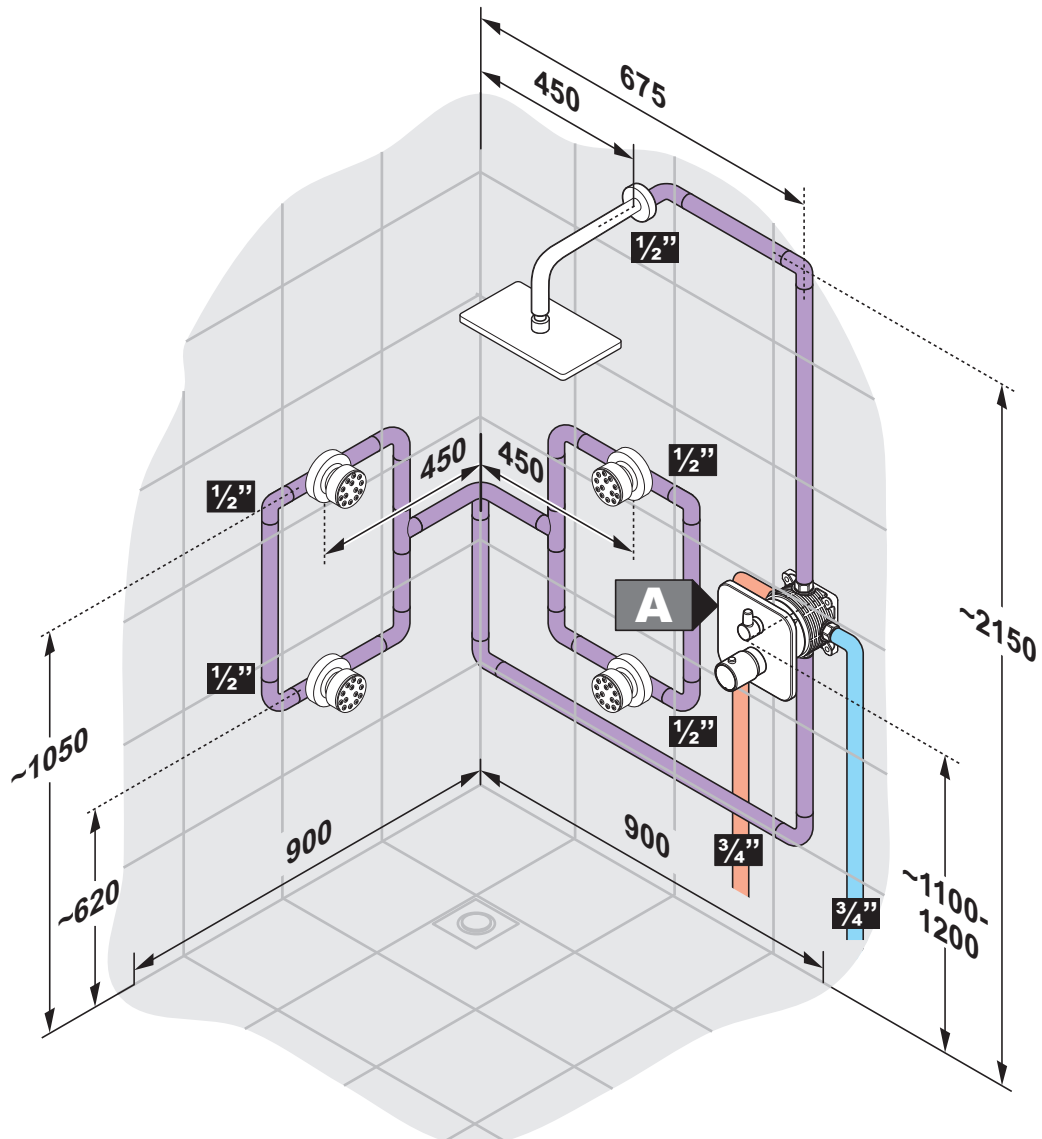


DN 15/20

DN 15/20

DN 15

Pos.	Article number	Description
<b>A</b>	88 011	FLEXX.BOXX CONCEALED MOUNTING SET
<b>B</b>	56 655 .. 40	ESPRIT CONCEALED SHOWER MIXER
<b>C</b>	56 541 .. 40	ESPRIT HOSE CONNECTION ELBOW
<b>D</b>	56 120 .. 40	ESPRIT WALL RAIL 900 MM
<b>E</b>	56 100 .. 40	ESPRIT HANDSHOWER

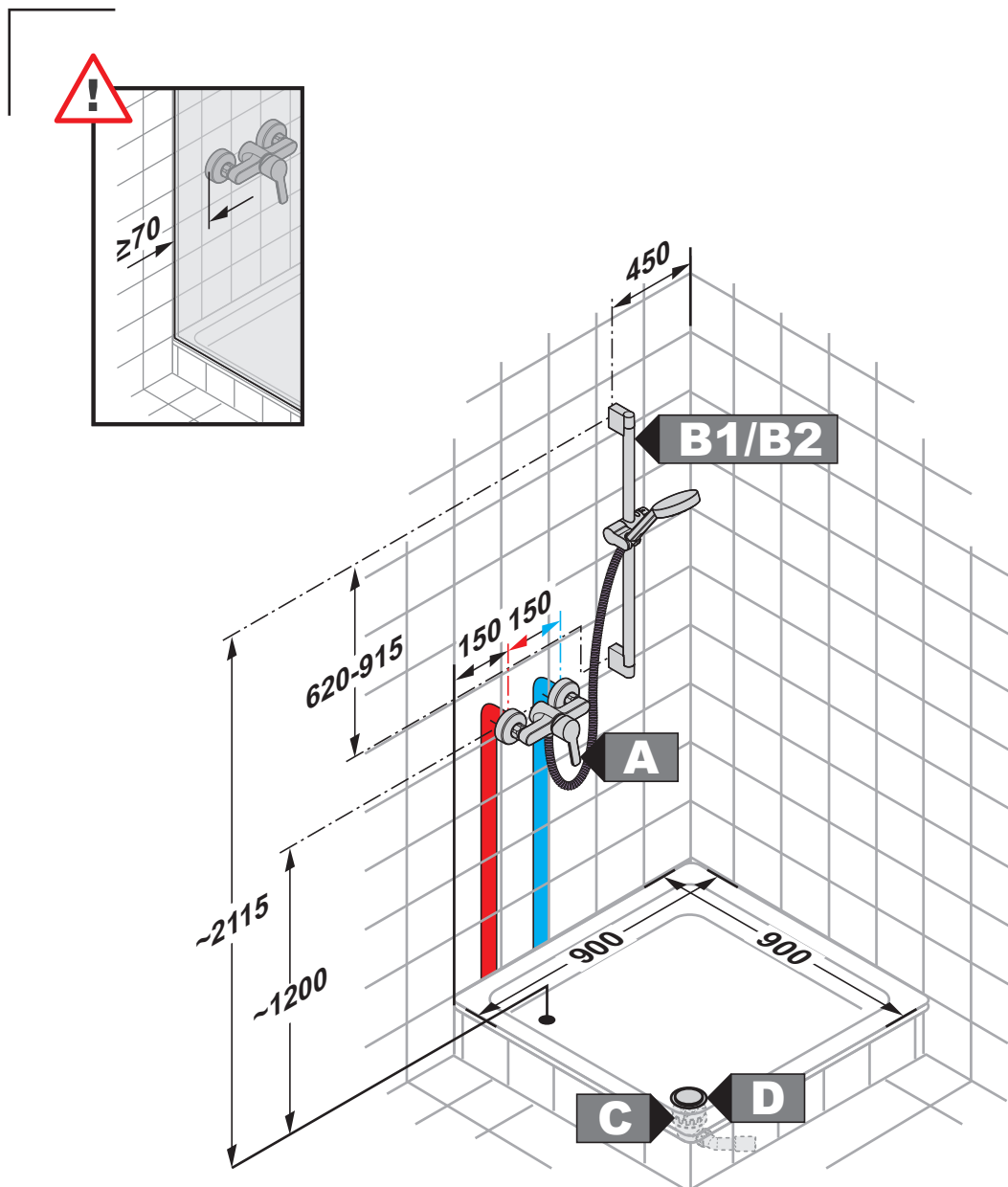


DN 15/20

DN 15/20

DN 15

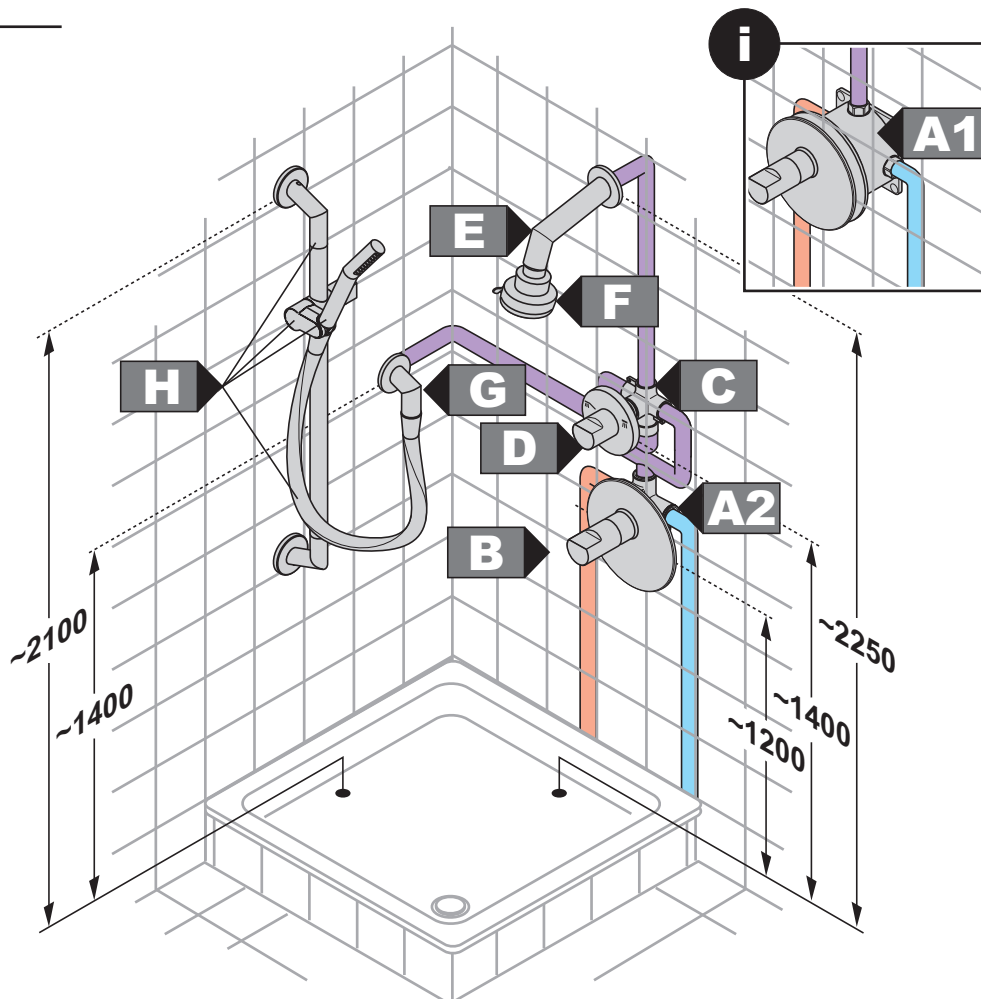
Pos.	Article number	Description
<b>A</b>	56 192 .. 40	ESPRIT SHOWER FAMILY



DN 15

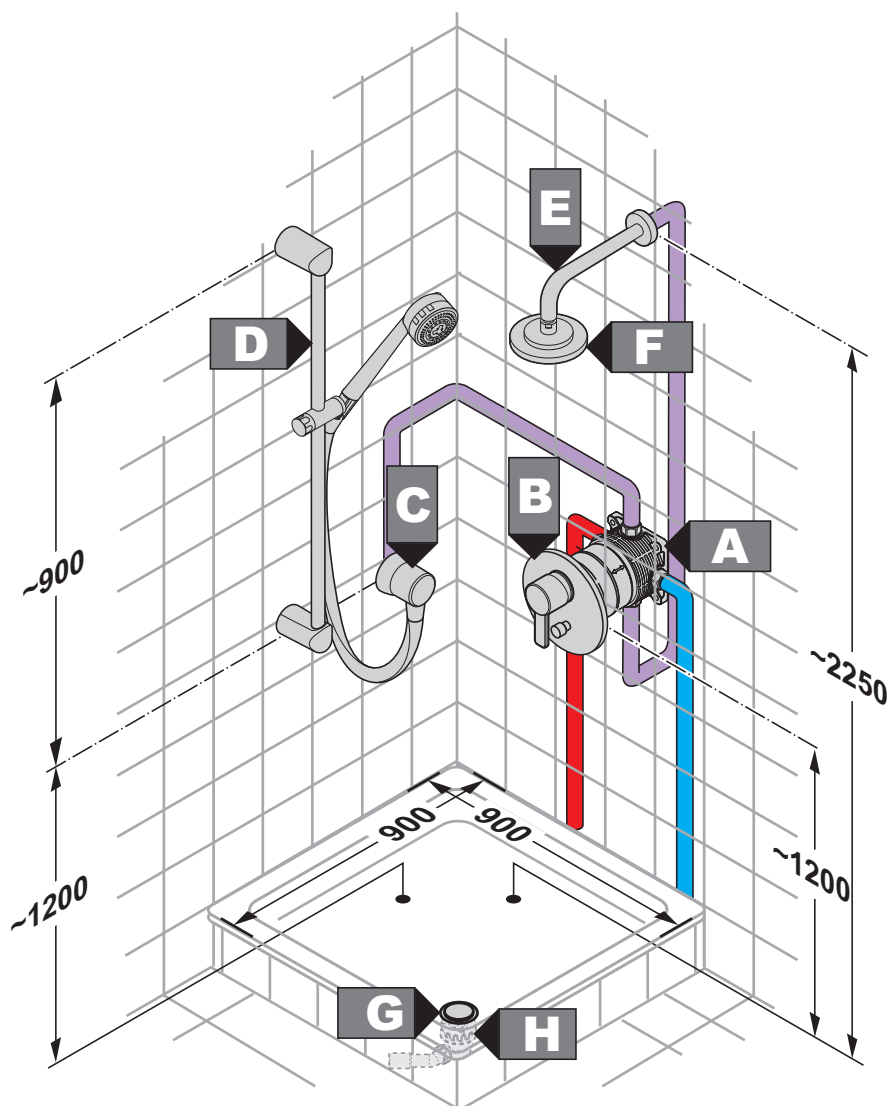
DN 15

Pos.	Article number	Description
<b>A</b>	37 841 .. 75	single lever shower mixer DN 15
<b>B1</b>	65 630 .. 00	shower set A-QA b 1 S 600 mm
<b>B2</b>	65 640 .. 00	shower set A-QA b 1 S 900 mm
<b>C</b>	21 091 .. 00	TASSO 90 pop up waste
<b>D</b>	71 370 .. 00	TASSO 90 trim set



- DN 15/20
- DN 15/20
- DN 15

Pos.	Article number	Description
<b>A1</b>	88 077	FLEXX.BOXX pre- installation set
<b>A2</b>	33 434	concealed bath/shower mixer DN 15
<b>B</b>	57 716 .. 75	concealed bath/shower mixer trim set
<b>C</b>	57 751	two way diverter DN 15
<b>D</b>	57 845 .. 30	two way diverter, trim set
<b>E</b>		shower arm DN 15
<b>F</b>		headshower DN 15
<b>G</b>	57 541 05	wall supply DN 15
<b>H</b>	57 140 05	NEW WAVES shower set

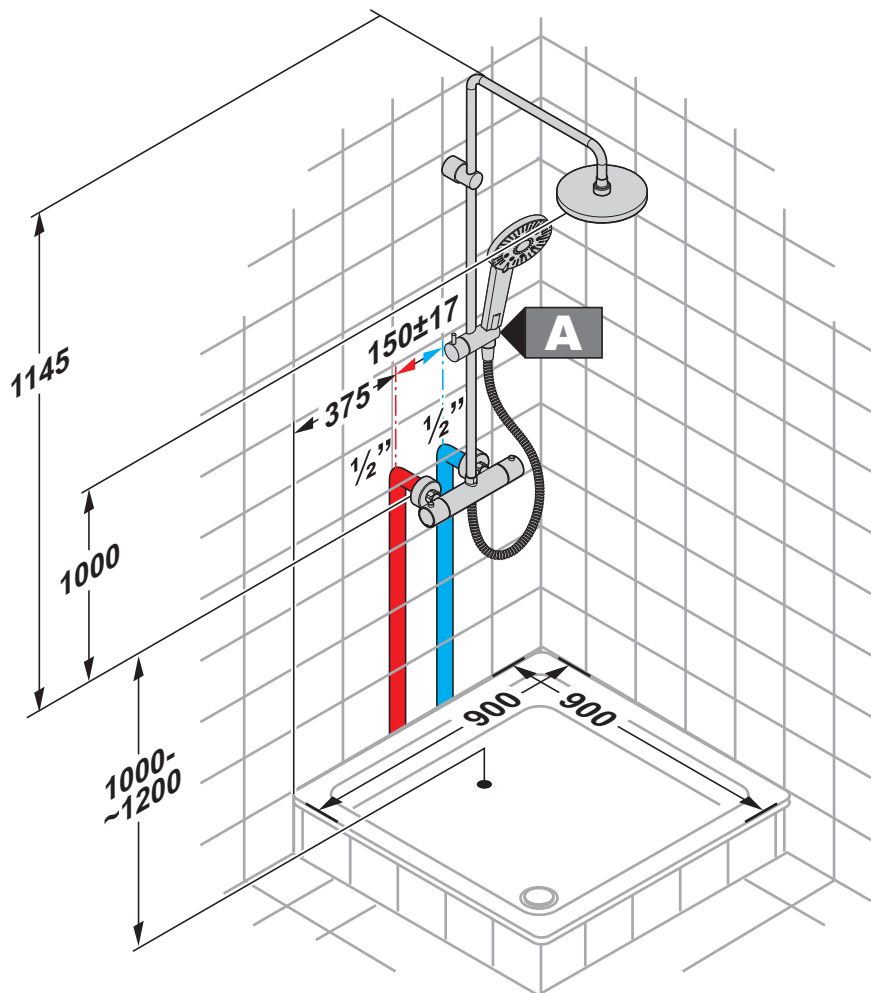


DN 15/20

DN 15/20

DN 15

Pos.	Article number	Description
<b>A</b>	88 077	Flexx.Boxx DN 20
<b>B</b>	38 660, 55 515, 54 514, 57 513, 39 535, 33 535, 38 960, 33 615, 50 514	Concealed bathfill- and shower single lever mixer, trim set
<b>C</b>	55 541, 39 541, 54 541, 57 541, 63 061, 65 543	Wall supply DN 15
<b>D</b>	60 840, 57 140, 54 340, 55 130, 39 140, 66 140, 66 091, 65 740, 62 096, 65 630, 66 090	Shower set DN 15 (620 – 915 mm)
<b>E</b>	66 513 .. 00	Shower arm DN 15, projection 250 mm
<b>F</b>	66 511 .. 00	Head shower DN 15
<b>G</b>	21 091 .. 00	Tasso 90 pop up waste
<b>H</b>	71 370 .. 00	Tasso 90 pop up waste, trim set

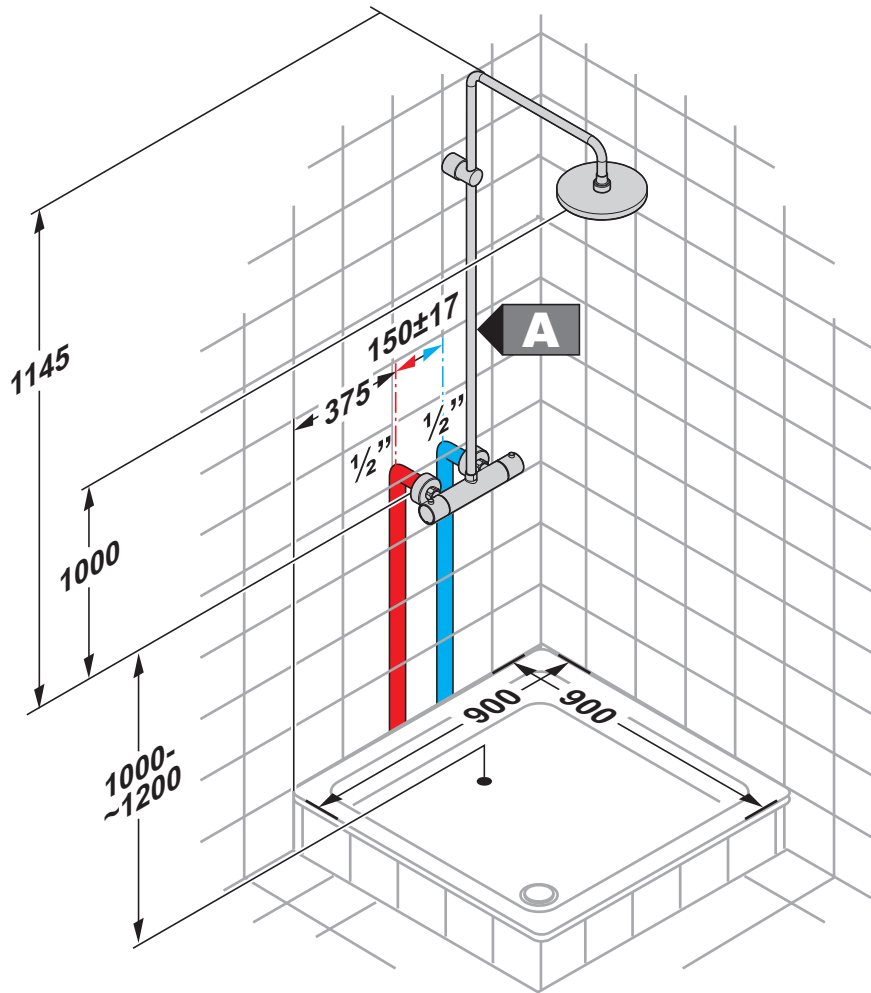


DN 15

DN 15

Pos.	Article number	Description
<b>A</b>	66 095 05-00	KLUDI A-QA s THM Dual Shower System DN 15





DN 15

DN 15

Pos.	Article number	Description
<b>A</b>	66 081 05-00	KLUDI THM Mono Shower System DN 15